

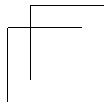
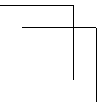
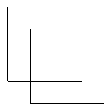
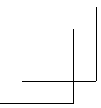


OGAWA Chair



Rev. 1.0

User Manual
OO7001 使用手册





OGAWA

OGAWA Chair

User Manual

All information is correct at the time of print

Contents

Before Use

- **Important safety instructions** EN 1
- **Product parts** EN 6
- **Before use** EN 7
- **Chair installation** EN 9

How to Use

- **Operation Instruction** EN 13

Maintenance

- **Cleaning and maintenance** EN 16

Q&A/Important notes



- **Troubleshooting** EN 17
- **Specification** EN 18
- **Precautions for Product Disposal** EN 19
- **Contact Us** EN 20

Important safety instructions

Must be followed



These safety instructions must be strictly followed in use to avoid personal injuries and property damage are as follows:

■ All the safety instructions are described in compliance with degrees of the injuries or damage as a result of wrong use.




 Warning	Actions tending to cause serious injuries or death
 Caution	Actions tending to cause minor injuries or property damage

■ Pay attention to the symbols before safety instructions (an example is given below).



 Actions that must be absolutely forbidden	 Actions that must be done
--	---

 Warning															
 Must be followed	<ul style="list-style-type: none"> ● Before using the product, persons who are being treated or have any of the following symptoms should consult a physician. <table border="0"> <tr> <td>(1) Persons with a pacemaker or another in-vivo electronic medical device tending to suffer electronic jamming;</td> <td>(8) Persons with injuries in the massaged parts;</td> </tr> <tr> <td>(2) Patients with malignant tumors;</td> <td>(9) Persons with a body temperature above 38 °C (with a fever) (For example, persons with intense acute inflammation symptoms such as listlessness, cold shivers and blood pressure change or persons in poor health);</td> </tr> <tr> <td>(3) Patients with heart disease;</td> <td>(10) Persons who are unwell or must have a rest;</td> </tr> <tr> <td>(4) Persons proved to be unable to identify temperatures;</td> <td>(11) Persons with an abnormal or bent vertebra;</td> </tr> <tr> <td>(5) Pregnant persons or women who have just had childbirth;</td> <td>(12) Persons with protrusion of intervertebral disc;</td> </tr> <tr> <td>(6) Persons with perceptual disturbance because of diabetes or another serious peripheral circulation disturbance;</td> <td>(13) Persons who feel very uncomfortable (except for the circumstances above)</td> </tr> <tr> <td>(7) Osteoporosis patients, spinal fracture patients, or persons with acute painful diseases such as sprains or muscle strains;</td> <td></td> </tr> </table> <p>Otherwise accidents or physical discomfort may happen.</p> 	(1) Persons with a pacemaker or another in-vivo electronic medical device tending to suffer electronic jamming;	(8) Persons with injuries in the massaged parts;	(2) Patients with malignant tumors;	(9) Persons with a body temperature above 38 °C (with a fever) (For example, persons with intense acute inflammation symptoms such as listlessness, cold shivers and blood pressure change or persons in poor health);	(3) Patients with heart disease;	(10) Persons who are unwell or must have a rest;	(4) Persons proved to be unable to identify temperatures;	(11) Persons with an abnormal or bent vertebra;	(5) Pregnant persons or women who have just had childbirth;	(12) Persons with protrusion of intervertebral disc;	(6) Persons with perceptual disturbance because of diabetes or another serious peripheral circulation disturbance;	(13) Persons who feel very uncomfortable (except for the circumstances above)	(7) Osteoporosis patients, spinal fracture patients, or persons with acute painful diseases such as sprains or muscle strains;	
	(1) Persons with a pacemaker or another in-vivo electronic medical device tending to suffer electronic jamming;	(8) Persons with injuries in the massaged parts;													
	(2) Patients with malignant tumors;	(9) Persons with a body temperature above 38 °C (with a fever) (For example, persons with intense acute inflammation symptoms such as listlessness, cold shivers and blood pressure change or persons in poor health);													
	(3) Patients with heart disease;	(10) Persons who are unwell or must have a rest;													
	(4) Persons proved to be unable to identify temperatures;	(11) Persons with an abnormal or bent vertebra;													
(5) Pregnant persons or women who have just had childbirth;	(12) Persons with protrusion of intervertebral disc;														
(6) Persons with perceptual disturbance because of diabetes or another serious peripheral circulation disturbance;	(13) Persons who feel very uncomfortable (except for the circumstances above)														
(7) Osteoporosis patients, spinal fracture patients, or persons with acute painful diseases such as sprains or muscle strains;															
<ul style="list-style-type: none"> ● If you feel physically abnormal while using or no effect after use, stop the product immediately and consult a physician about it. Otherwise accidents or physical discomfort may happen. 															
<ul style="list-style-type: none"> ● Before being massaged or moving the backrest or the Lower Leg/Foot massage section, make sure there is no person or pet close to the product (in front, behind, below or on the side). ● Before use, make sure there is no foreign matter between the backrest and the back cover. Otherwise accidents or physical discomfort may happen. 															
<ul style="list-style-type: none"> ● Before use, lift the back cushion and check whether fabric of traveling sections of the massage wheels or of other positions are damaged. (Even if the fabric is slightly damaged, stop the product immediately, pull out the power plug and send the product to repair.) If the product is used when the fabric is damaged, you may get injured or get an electric shock. 															
<ul style="list-style-type: none"> ● Do not massage for more than 30 minutes each time. ● Do not massage a single part for more than 5 minutes. If any of these safety instructions is not followed, you may suffer an adverse effect and be injured. 															




Warning

 Forbidden	<ul style="list-style-type: none"> ● Do not put the back cushion between the backrest and the back cover. Otherwise product faults may happen.
	<ul style="list-style-type: none"> ● When handling the product, hold its frame. Otherwise product faults or personal injuries may happen.
	<ul style="list-style-type: none"> ● The following persons should not use the product. Persons for whom massage is forbidden by doctors, such as persons with thrombosis, serious aneurysm, acute venous aneurysm, various skin inflammations (such as subcutaneous tissue inflammation) or various skin infections. Otherwise diseases may get worse.
	<ul style="list-style-type: none"> ● The following persons should not massage their waists. <ul style="list-style-type: none"> • Persons with acute lumbago, protrusion of intervertebral disc, or displacement of a lumbar vertebra; • Persons with deformation or other discomfort of the hip joint; Otherwise diseases may get worse.
	<ul style="list-style-type: none"> ● Do not put hands, arms or feet into the backrest's fabrics of traveling sections of the massage wheels. ● Children should not use the product. Keep them from playing on the product or climbing onto the Lower Leg/Foot massage section, the seat, the backrest or the armrests. ● Do not climb onto the backrest or the armrests. ● Do not lean or sit on the backrest. ● Keep your head from reachable areas of the backrest and the back cover. ● Persons unable to express themselves clearly or unable to operate the product should not use the product. ● When massing the neck, pay attention to moving directions of the massage wheels and do not massage with a too large force or massage front part of the neck. Otherwise accidents or personal injuries may happen.
	<ul style="list-style-type: none"> ● Do not damage the power line or the power plug. (Do not damage, machine, forcibly bend, twist or prolong the power line or the power plug, or place the power line or the power plug close to a heater, or tie or bind any heavy objects on the power line or the power plug.) A damaged power line or power plug may result in electric shocks, short circuit faults or fires. Please consult the shop from which you bought the product or a designated authorized service center about maintenance method of the power line or the power plug.
 Wet-hand operation forbidden	<ul style="list-style-type: none"> ● Do not insert or pull out the power plug with wet hands. Otherwise electric shocks may happen.
 Disassembly forbidden	<ul style="list-style-type: none"> ● Do not refit, disassemble or repair the product without permission. Otherwise fires, abnormal movements or personal injuries may happen.

Caution

 Must be followed	<ul style="list-style-type: none"> ● The following persons (even if they are physically healthy at present) should consult a physician before using the product. <ol style="list-style-type: none"> (1) Persons with muscular atrophy due to aging or thin persons; (2) Persons feeling lumbago because of bone or viscus problems; (3) Persons tending to suffer sprains or bruising; (4) Persons with carsickness or seasickness or strong response when taking other transport means; (5) Persons who once received a heart operation or another visceral operation; Otherwise health may get worse.
	<ul style="list-style-type: none"> ● Before sitting on the product, make sure there is no foreign matter between any two parts of it. (Make sure there is no foreign matter on the back cover, the backrest, the seat surface, the Lower Leg/Foot massage section or inside surface of the back cushion.) Otherwise accidents, injuries, or product faults caused by clamping of hands, feet, or other articles by the product may happen.
	<ul style="list-style-type: none"> ● Do not use the product when wearing any hard decorative article on head (such as hair pin). ● If there is any hard article (such as mobile phone or key) in a pocket of the trousers, take it out before massage.
	<ul style="list-style-type: none"> ● Before sitting on the seat, make sure the massage wheels are in the retracting positions. ● If you want to leave the seat during the massage, stop the product first. Otherwise accidents or injuries may happen.
	<ul style="list-style-type: none"> ● When pulling out the power plug, do not pull the power line but hold the power plug. Otherwise an electric shock or a short circuit fault may happen.
	<ul style="list-style-type: none"> ● Before moving the product, make the Lower Leg/Foot massage section back to the original position by adjusting its angle. Otherwise injuries may happen.
	<ul style="list-style-type: none"> ● When moving the product by pulleys, put articles such as mats on the floor. Otherwise marks may be left on the floor.
	<ul style="list-style-type: none"> ● Before moving the product by pulleys, remove the obstructions close to it. Lift the seat surface of the Lower Leg/Foot massage section to a position a little lower than the waist and move the product slowly. Otherwise accidents or injuries may happen because of turnover of the product.
	<ul style="list-style-type: none"> ● In use, place the product horizontally. Otherwise accidents due to turnover of the product may happen.
	<ul style="list-style-type: none"> ● If any symptom such as skin inflammation, itching or swelling in use, stop the product immediately and consult a physician. Otherwise accidents or physical discomfort may happen.
 Forbidden	<ul style="list-style-type: none"> ● Do not use the product and other devices at the same time. Otherwise accidents or physical discomfort may happen.
	<ul style="list-style-type: none"> ● Keep head, abdomen or skin from the massage wheels and do not put hands or feet between the massage wheels. ● Do not put the knees between the Lower Leg/Foot massage section. ● Do not fall asleep while using the product. Do not use the product after drinking. ● If air in the filling the air bag on the seat is not completely discharged, do not stand or jump on the seat or put things on it. Otherwise accidents or injuries may happen.

Caution

 Forbidden	<ul style="list-style-type: none"> ● Do not put hands or feet between the product and the Lower Leg/Foot massage section. ● Do not put hands, arms, or head into the seam of the Lower Leg/Foot massage section (footrest). For safety, admit the Lower Leg/Foot massage section after massage. ● Do not put hands, feet or head between the backrest and the back cover. ● Do not put pets on the product (such as its back cover, backrest and armrest). ● Do not pull out the power plug or turn OFF the power switch suddenly during massage. Otherwise injuries may happen.
	<ul style="list-style-type: none"> ● Do not stand or sit on the back cover. Otherwise personal injuries due to the product toppling may occur.
	<ul style="list-style-type: none"> ● Do not stand or sit on the armrests. Otherwise personal injuries may happen.
	<ul style="list-style-type: none"> ● Do not stand or sit on the Lower Leg/Foot massage section or the footrest. Otherwise accidents or injuries due to rotation of front of the footrest or turnover of the product may happen. If bottom of the Lower Leg/Foot massage section runs into the floor, the floor may be damaged.
	<ul style="list-style-type: none"> ● Do not move the product while there is a person on it. Otherwise, accidents, or injuries may happen due to a toppling of the product.
	<ul style="list-style-type: none"> ● Do not use the product on heating devices such as electric blankets. Otherwise fires may happen.
 Wet-hand contact forbidden	<ul style="list-style-type: none"> ● Do not use the product in a bathroom or another wet place. Otherwise electric shocks or product faults may happen.
 Product wetting forbidden	<ul style="list-style-type: none"> ● Do not sprinkle substances such as water on the product or its remote controller. Otherwise electric shocks, short circuit, or product faults may happen.

Warning:

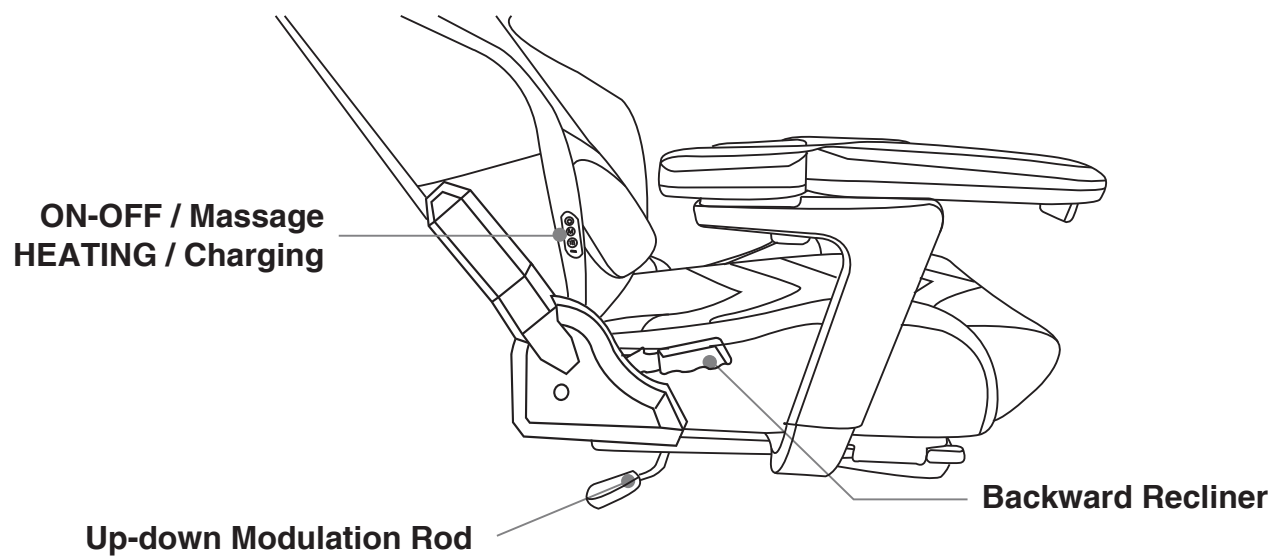
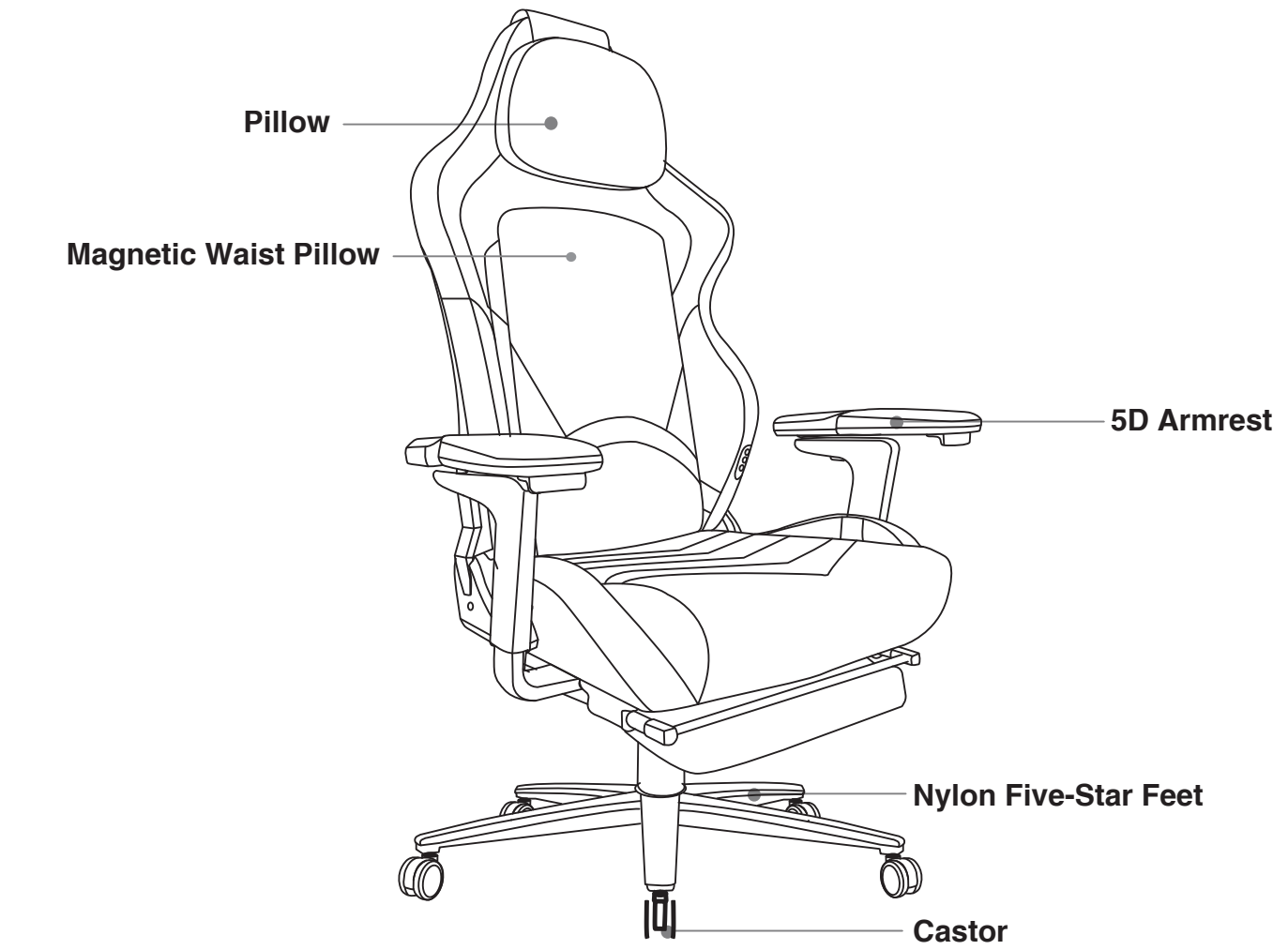
1. This appliance can be used by children aged from 8 years and above and persons with reduced physical, sensory or mental capabilities or lack of experience and knowledge if they have been given supervision or instruction concerning use of the appliance in a safe way and understand the hazards involved. Children shall not play with the appliance. Cleaning and user maintenance shall not be made by children without supervision.
2. The appliance has a heated surface. Persons insensitive to heat must be careful when using the appliance.



Caution

- This appliance is not intended for use by persons (including children) with reduced physical, sensory or mental capabilities, or lack of experience and knowledge, unless they have been given supervision or instruction concerning use of the appliance by a person responsible for their safety.
- Children should be supervised to ensure that they do not play with the appliance.
- The appliance has a heated surface. Persons insensitive to heat must be careful when using the appliance.
- This appliance can be used by children aged from 8 years and above and persons with reduced physical, sensory or mental capabilities or lack of experience and knowledge if they have been given supervision or instruction concerning use of the appliance in a safe way and understand the hazards involved.
- Please place the discarded battery at a fixed recycling point when the product is discarded.
- This appliance contains batteries that are non-replaceable.

Product Parts



Before use

- Make sure there is enough space for the tilting of the product.



Before use

1 Check the space around the product.

Make sure there is no person, pet or other object close to the product.



2 Roll up the back cushion and fix it.

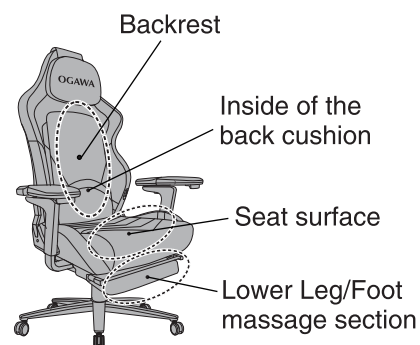
Roll up the back cushion and fix it on the main body by the zipper.



3 Make sure there is no foreign matter in the seams of the product.

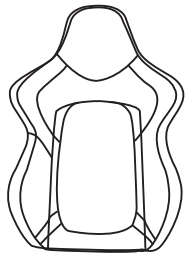
Caution

- Do not put hands, fingers, feet or head into the seam(s) between the footrest and the seat surface or the armrests.
- Before sitting on the product, make sure there is no foreign matter between any two parts of it.
- Do not put pets on the product (such as its back cover, backrest).

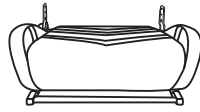


Chair Installation

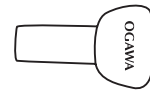
(1) This gaming massage chair comes in a single box packing design.
Remove the packing, take out the parts.



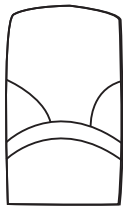
Backrest(1pc)



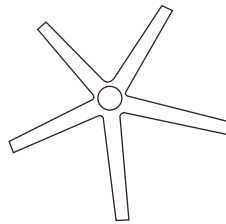
Seat(1pc)



Head Pillow(1pc)



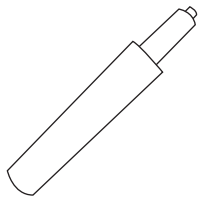
Waist Pillow(1pc)



Al-alloy Five-Star Feet(1pc)



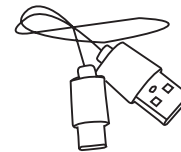
Footrest(1pc)



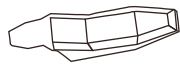
Gas lift(1pc)



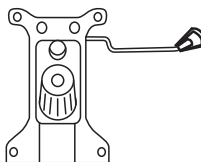
Motor(5pc)



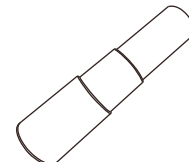
Power line Type-C (1pc)



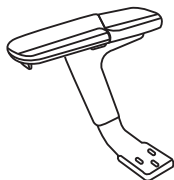
Recliner Cover(2pc)



Butterfly Mechanism(1pc)



Cylinder Cover(1pc)



5D Armrest(2pc)



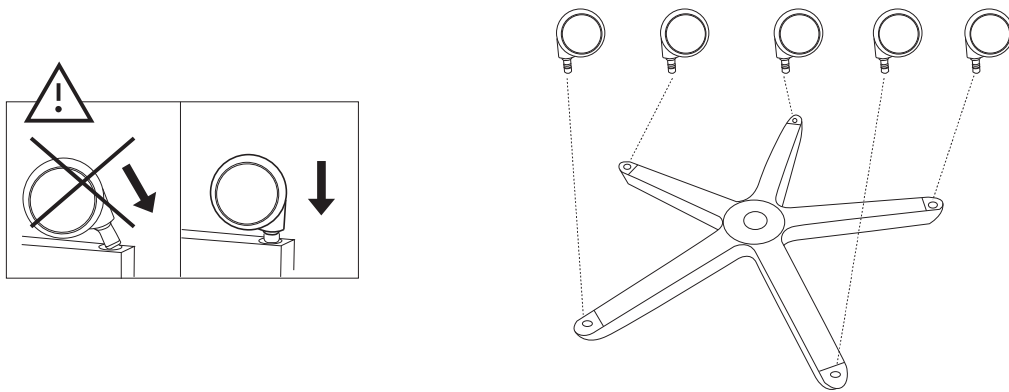
Tools
+Screw(16pcs)
+Wrench(1pc)
+Screw(4pcs)



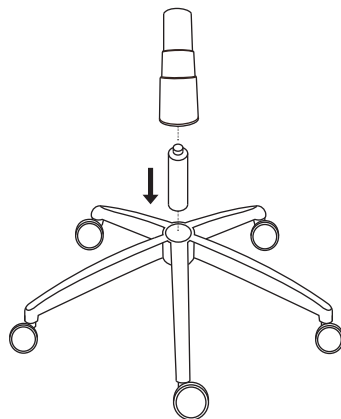
+Rubber Band(2pcs)
+Caps(2pcs)

(2) Installation Steps

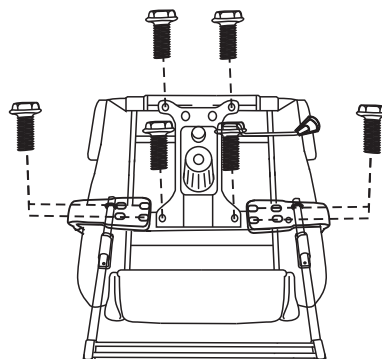
- Place the five-star feet upside down, and then insert the 5 castors into the base after placement locations are confirmed.



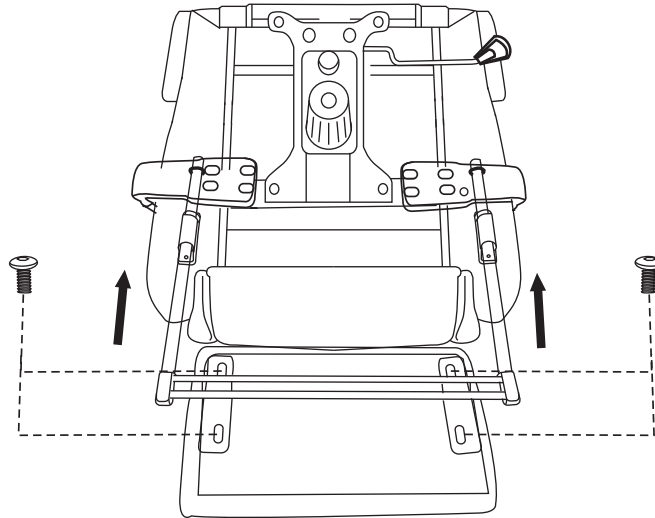
- Place the five-star feet on the flat ground, insert the gas lift to the base, and then inset the cylinder cover.



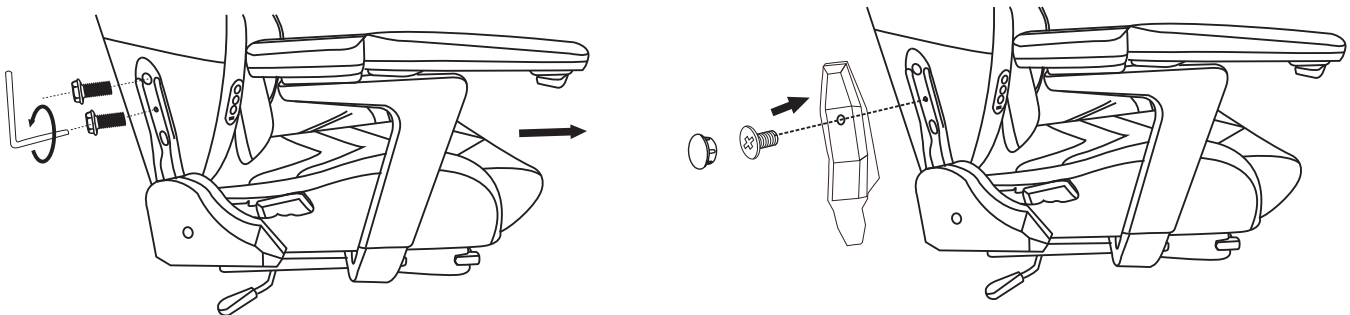
- Make sure the frog mechanism is aligned with the screw holes in the chair base, insert the screws and tighten them with a two-way wrench.



· Make sure the footrest placed.



· Make sure the backrest is aligned with the screw holes in the rear recliner, insert the screws and tighten them with a two-way wrench, and then adsorb the magnetic cylinder cover.



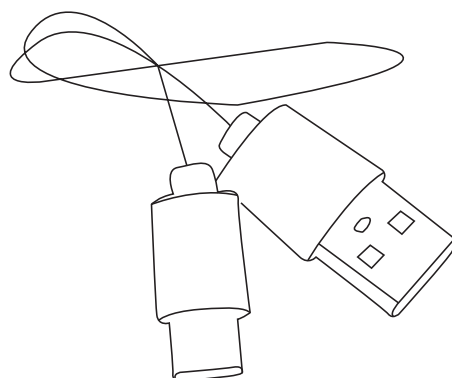
· Please check whether the installation is loose or not before use.



Power on the product

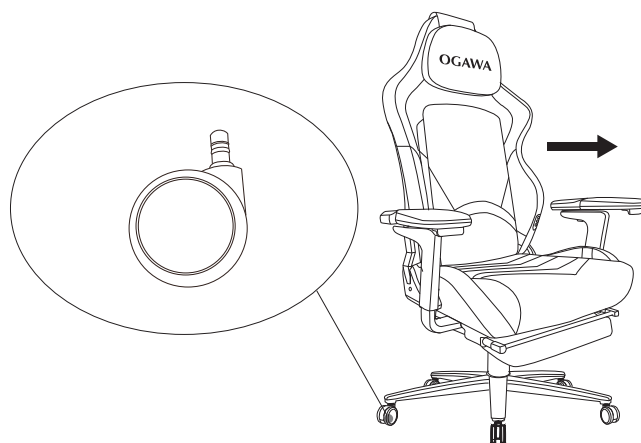
When using the power adapter for charging

- Use a 100-240V,50/60Hz power supply for charging.
- Push the power connector into the appliance inlet till the end.
- Insert the power plug into the power outlet till the end.
- The red light would be displayed when charging in a standby mode, and the green light would be displayed when charging is completed.
- After charging,unplug the power adapter from the power socket,and then unplug the power cord from the power connector.



Chair Movement

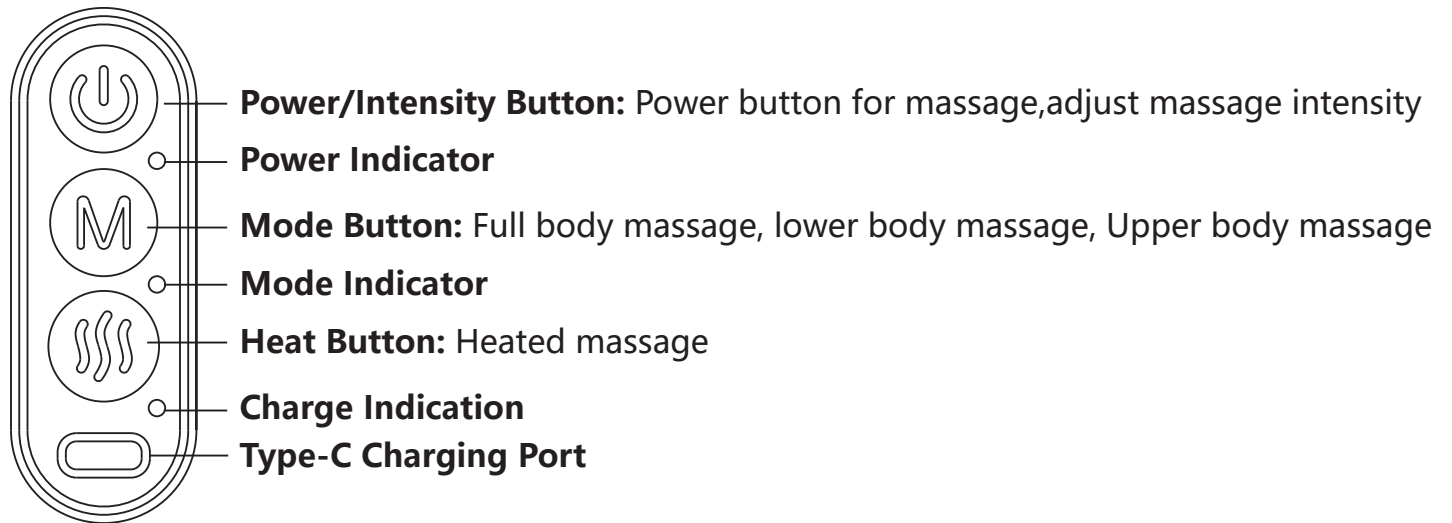
- The bottom of the product is equipped with moving rollers, which can be moved easily.
- Remove the power adapter before moving.
- Carefully push the product to the desired location.



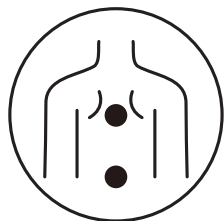
Caution!

- When using the power adapter for charging,do not move the product, so as not to break the power cord.
- When someone is sitting on the product,please do not push it by hand, so as not to cause the product to overturn and cause accidental injury.

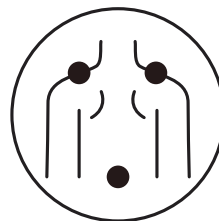
Operation Instruction



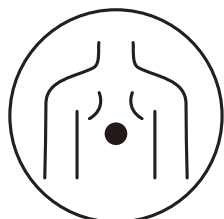
• Massage Mode



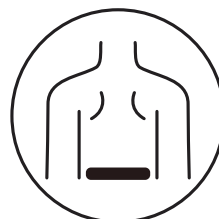
【Full Body Massage】
Active massage for entire back and waist area



【Lower Body Massage】
Fixed massage for back area



【Upper Body Massage】
Fixed massage for back and waist/shoulder area



【Heated Massage】
Heated massage for back and waist area

Operation Instruction

【Power Button】

Long press 【⏻】 for 2 seconds to turn on and start default full body massage with heat and low intensity.

Long press 【⏻】 for 2 seconds to turn off.

The duration of one massage session is 15 minutes.

【Adjust Intensity】

After starting a massage sessions,press 【⏻】 shortly to adjust intensity between high and low intensity.

High intensity is indicated by a red light.

Low intensity is indicated by a white light.

【Adjust Massage area】

Press 【M】 shortly to switch between massage areas.

Switch between three areas, full body,upper body and lower body on a cycle.

Full body massage is indicated by a white light.

Upper body massage is indicated by a red light.

Lower body massage is indicated by a blue light.

【Heated Massage】

Heated massage is turned on at default. Press 【🔥】 shortly to on/off heating.

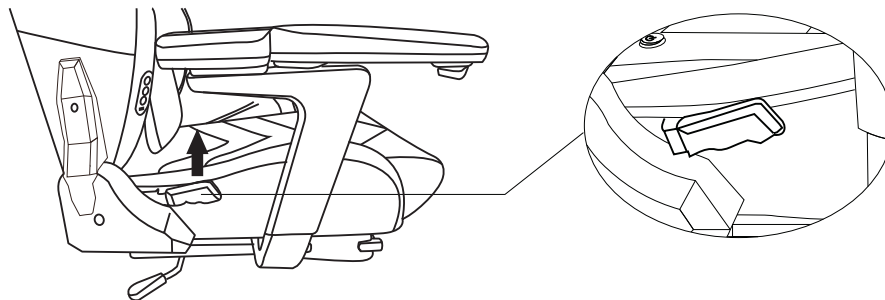
【Power Indicator】

When the product is plugged in for charging, the indicator lights up in green. If the green light is turned on consistently, the battery is fully charged and the charger should be unplugged as soon as possible.

Operation Instruction

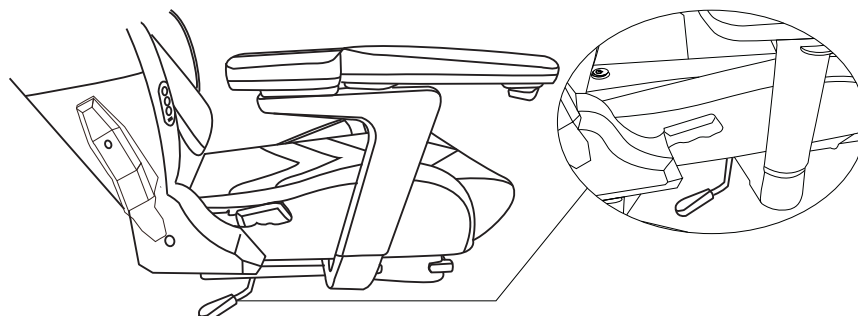
Backrest Angle Adjustment

- Pull out the backward recliner completely.
- Lean your upper body backwards to your preferred recline angle.
- Release the backward recliner to lock your selected position.



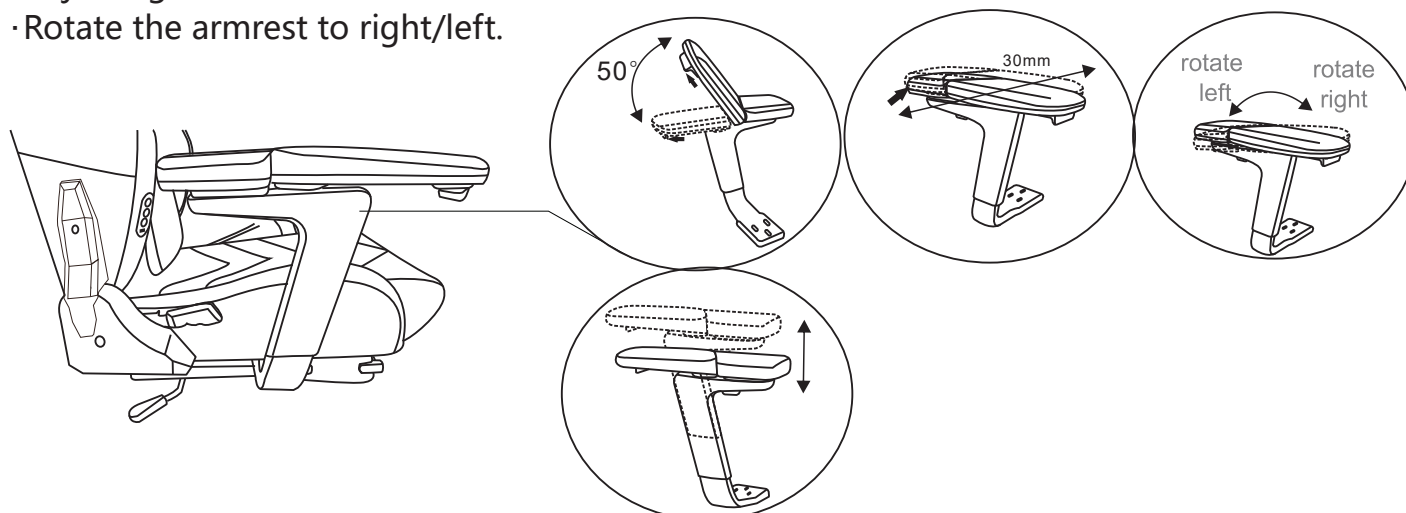
Seat Height Adjustment

- Pull up the up-down modulation rod.
- Lift up your lower body or use body weight to adjust to your preferred sitting height position.
- Release the up-down modulation rod to lock the selected position.



Armrest Adjustment

- Adjust the armrest to front/back, right/left, up/down position by entering the adjusting buttons.
- Rotate the armrest to right/left.

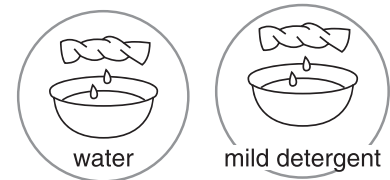


Cleaning and maintenance

Cleaning of the synthetic leather

Wipe the synthetic leather with a soft dry cloth.

- Do not clean the product with chemicals such as thinners, gasoline and alcohol.
- When using a leather maintenance product (cleaning cloth) sold on the market, follow its directions for use.
- If the synthetic leather is very dirty, wipe it with the method below.
 - ① Put a piece of soft cloth into water or 3% to 5% neutral detergent contained hot water and wring it out.
 - ② Wipe surface of the synthetic leather with the soft cloth.
 - ③ Wipe the detergent with a piece of cloth once soaked in clean water and wrung out.
 - ④ Wipe with a piece of wrung soft cloth.
 - ⑤ Have the synthetic leather take natural air drying.
- If it is difficult to remove the stains on the synthetic leather, soak a piece of melamine foam bought from the market into a neutral detergent and use it wipe the product.
- Do not dry the surface by a hair drier.
- Surface of the synthetic leather may be dyed by fabric colors; therefore, be careful when wiping the product with denim or colored cloth.
- Keep these positions from long-time contact with plastics to avoid fading.
- Synthetic leather may discolor, so the position in contact with the hair dye used should be covered by a towel.



Cleaning of the plastic parts

1 Put a piece of soft cloth into water or neutral detergent contained hot water, wring it out and wipe the plastic parts.

- Do not clean the product with chemicals such as thinners, gasoline and alcohol.

2 Wipe with a piece of cloth once soaked in clean water and wrung out.

- Wring the cloth out before using it to wipe the remote controller.

3 Have the plastic parts take natural air drying.



Troubleshooting

After a fault happens, inspect and try the corresponding method below.

If the fault still exists after that, contact the shop from which you bought the product.

Fault	Cause and elimination method
Unable to turn on machine	<p>Plug or outlet is poorly connected. Check if outlet and Type-C charging port is properly connected, and whether the wire is damaged.</p> <hr/> <p>Did not use the provided. Charge with the provided.</p>
Machine suddenly stopping at work	<p>Massage automatically ends after 15mins. Restart the machine.</p> <hr/> <p>Product turned off automatically due to overheat. Restart after 30mins.</p> <hr/> <p>Product turned off automatically due to blocking. Restart after removing obstruction.</p>

If above solution are not applicable, kindly contact OGAWA service Center.

Specifications

Item Name	Ogawa Chair
Model No.	OO7001
Rated Voltage	5V === Max 2A
Battery Capacity	2200mAh
Rated Time	15 min
Dimensions (L*W*H)	Upright: 56x71x131cm
	Recline: 145x71x110cm
Weight	Gross Weight: 28.1kg Net Weight: 24.7kg
Usage Condition	Environment temperature: 0°C~35°C
	Contrasting humidity: 20%~80%
Usage Condition	Storage temperature: -5°C~35°C
	Storage humidity: 20%~80%
Maximum body weight of user	100kg

For a user heavier than 100 kilograms, the product may have bigger noise and its fabric housing may be worn quicker.

Precautions for Product Disposal

Please recycle the rechargeable battery (Lithium battery).

Danger

This product uses a specified rechargeable battery, do not use on other products.

Please do not recharge a battery that has been taken out.

Please do not dispose into fire and cause it to overheat.

Please do not penetrate with nails, apply force or dismantle its parts.

Please do not directly connect the two poles with metal.

Please do not store with necklaces or hair clips etc..

Please do not charge, use or store next to high temperature locations such as fireplace or under the sun.

The situations above could cause overheat, fire hazards or explosions.

Warning

Please store the removed rechargeable battery at a location unreachable by babies to avoid choking hazard.

If a choking hazard occurs, please immediately consult a doctor.

If liquid leaks from the battery, do not touch with bare hands. Follow the instructions below.

If liquid from the battery enters your eyes, there may be risk of blindness, do not use your hands to rub your eyes directly.

Immediately clean with clean water and consult a doctor. If liquid comes into contact with your body or clothes, it may cause irritation or injury. Please rinse with clean water, and consult the doctor immediately if there is any further discomfort.

Only dismantle the product for disposal purposes, or else it may cause fire, electric shock, or injuries.

The Lithium battery used in this product is a recyclable material. During disposal, please hand the battery to organizations that specialize in recycling rechargeable batteries for further treatment. Before the product is disposed, you must remove the battery; as you remove the battery, the product must be turned off; safely remove the battery.

Steps for battery removal:

1. Turn off the power, remove the covers.

2. Remove the screws on the control box cover, remove the cover and disconnect the battery wires.

3. Remove the screws on the battery box cover, open the battery box and remove the battery.

Contact Us



MALAYSIA

Healthy World Lifestyle Sdn Bhd
No. 22 Jalan Anggerik Mokara 31/47
Kota Kemuning, 40460 Shah Alam
Selangor Darul Ehsan, Malaysia
Tel : +1-800-88-4688
Fax: +603-5121 4386



HONG KONG, CHINA

OGAWA Health Care International (HK) Ltd
31/F, YHC Tower, 1 Sheung Yuet Road
Kowloon Bay
Kowloon
Hong Kong
Tel: +852 3465 6262
Fax: +852 2410 0119



SINGAPORE

OGAWA Health-Care Pte Ltd
163, Kallang Way #07-11
SINGAPORE 349256
Tel : +065-6846 8588



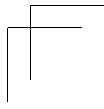
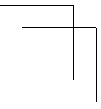
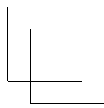
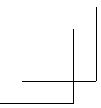
VIETNAM

OGAWA Vietnam
171, Nguyen Thi Thap Street
Tan Phu Ward
Dist 7
Ho Chi Minh City, Vietnam
Tel : +84 8 3775 3093 / 3094
Fax : +84 8 3775 3095



PHILIPPINES

O-Healthcare Solution Phil. Inc.
2303, 4th Floor, G&A Building,
Chino Roces Avenue Extension,
Makati City, Philippines
Tel : +632 8889 0676/ +632 8844 6851
Fax: +632 8812 0421





OGAWA

OGAWA Chair

User Manual

All information is correct at the time of print

目錄

使用前

- 重要的安全事項 SC1
- 產品結構 SC6
- 使用前 SC7
- 安裝說明 SC9

使用方法

- 操作指南 SC13

維護

- 清洗及保養 SC16

Q&A/重要事項



- 故障檢修 SC17
- 規格 SC18
- 產品廢棄時注意事項 SC19
- 聯繫我們 SC20

重要的安全事項

必須遵守



下文列舉的是使用中為防止人身、財產損害而必須嚴格遵守的安全事項。

■ 所有安全事項將根據因錯誤使用而導致危害或損害的程度，予以說明。




 警告	可能造成重傷或死亡後果的事項內容。
 注意	可能造成輕傷或財產損害的事項內容。

■ 請注意各安全事項前的符號。（下文為符號範例）

 絕對禁止事項。	 必須執行事項。
--	--

 警告	
 必須遵守	<ul style="list-style-type: none">● 正在接受治療或有以下症狀的人，在使用本機前，應諮詢醫師。<ul style="list-style-type: none">(1) 佩戴起搏器或其他易受電子干擾的體內植入型電子醫療器械的人(2) 惡性腫瘤病人(3) 心臟病人(4) 被查證喪失溫度能力的人(5) 孕婦或剛完成分娩的人(6) 因糖尿病等高度末梢迴圈障礙引起知覺障礙的人(7) 骨質疏鬆症患者、脊柱骨折病人、患有扭傷或肌肉拉傷等急性疼痛性疾病的人(8) 按摩部位受傷的人(9) 體溫在38°C以上（有發熱症狀）的人(10) 必須靜養或身體顯著不適的人(11) 脊柱異常或脊柱彎曲的人(12) 患有椎間盤突出的人(13) 除上述之外，身體感覺特別不適的人 <p>否則恐發事故或造成身體不適。</p>
	<ul style="list-style-type: none">● 使用中感到身體異常、或使用後覺得沒有效果時，請立即停止使用，並諮詢醫師。<p>否則恐發事故或造成身體不適。</p>
	<ul style="list-style-type: none">● 按摩中或移動靠背、小腿、腳部按摩部時，請事先確認本機周圍（本機後面、下面、前面和側面）沒有人或寵物。● 使用前請務必確認靠背和後蓋之間無異物或者寵物。<p>否則恐發事故或造成身體不適。</p>
	<ul style="list-style-type: none">● 在使用本機前，一定要掀開靠墊，以檢查靠背覆蓋在按摩輪活動範圍上的面料是否破損或者其他部位的面料是否破損。<p>（無論發現多麼細小的破損，都請立即停止使用，拔掉電源插頭，並將本機報修。）</p><p>在面料破損的情況下使用本機，可以引發受傷或觸電的危險。</p>
	<ul style="list-style-type: none">● 每次按摩請控制在30分鐘內。● 請將對身體同一部位的按摩控制在5分鐘內。<p>否則可能出現負面效果並造成傷害。</p>

 **警告**

 禁止	<ul style="list-style-type: none">● 請勿將靠墊伸入靠背和後蓋之間。 否則可能會導致機體故障。● 請握住邊框進行本機搬送。 否則可能會導致機體故障或人身傷害。● 下列人員請勿使用本機。 被醫生禁止按摩的人（例：患有血栓症、重度動脈瘤、急性靜脈瘤、各種皮膚炎或皮膚感染症（包括患皮下組織炎症）的人等） 否則可能會導致病情惡化。● 下列人員請勿使用腰部按摩。<ul style="list-style-type: none">• 患有急性腰痛、椎間盤突出症、腰椎移位症的人• 罹患變形性髖關節症等髖關節不適的人否則可能會導致病情惡化。● 在使用中請勿將手、手臂、腳塞入靠背覆蓋在按摩輪活動範圍上的面料。● 兒童禁止使用本機。此外，請勿讓兒童在本機上玩耍，或者爬到小腿●腳部按摩部、座面、靠背或扶手上。● 請勿攀爬靠背或者扶手。● 請勿倚背或坐在靠背上。● 請勿將頭伸入靠背和後蓋之間的活動區域。● 請勿讓不能表達自己意思的人或沒有能力操作本機的使用本機。● 按摩頸部時，請注意按摩輪的動向，請勿按摩前頸，請避免過重地按摩頸部。 否則可能會引起事故或造成傷害。● 請勿損壞電源線及電源插頭 （請避免此類行為：損傷、加工、強行彎曲、扭轉、拉長電源線及電源插頭，或將電源線及電源插頭靠近發熱器，或在電源線及電源插頭上系重物、或任意捆綁。） 使用破損的電源線或電源插頭，可能引起觸電、短路或引發火災，請到購買本品的商店或指定的維修中心諮詢修理電源線或電源插頭的方法。
 濕手禁止	<ul style="list-style-type: none">● 請勿用沾濕的手插、拔電源插頭。 否則可能導致觸電事故。
 分解禁止	<ul style="list-style-type: none">● 請勿擅自改造本機。請勿自行分解或修理本機。 否則可能導致起火、異常動作、人身傷害。

注意

- 下列人員即使目前身體健康，也請諮詢醫師後再使用本機。
(1) 因年齡增長而導致肌肉萎縮的人或身體纖瘦的人 (2) 因骨頭或內臟問題而感覺腰痛的人
(3) 容易扭傷或容易瘀傷的人 (4) 暈車、暈船或乘坐其他交通工具時，反應異常激烈的人
(5) 過去曾被施予心臟手術或其它內臟手術的人
否則可能有損自身健康。

- 就坐前，請先確認本機各個部件之間沒有異物。
(確認後蓋、靠背、座面、小腿●腳部按摩部、靠墊內側沒有夾雜異物。)
否則可能因手、腳或其他物件被本機夾住，而引發事故、造成傷害或機體故障。

- 頭部佩戴任何硬質飾物(如髮卡等)時請勿使用本機。
- 當褲子口袋內部有硬物時(如手機、鑰匙等)，將其取出，然後按摩。

- 就座前，確認按摩輪處在收納位置。
- 按摩途中若想離開座位，必須先停止按摩椅運作，再離開座位。
否則可能引發事故或造成傷害。

- 請勿扯電源線試圖拔出電源插頭，一定要握住插頭本身將其拔出。
否則可能引發觸電或短路。

- 移動本機前，必須把小腿●腳部按摩部的角度調節回最初位置。
否則可能造成傷害。

- 如果使用滑輪滾動本機，在地板上墊上墊子等。
否則可能在地板上留下傷痕。

- 使用滑輪移動本機前，須先清空周圍障礙物。抬起小
- 腳部按摩部座面到略低於腰的位置，慢慢移動。
否則可能因機身翻倒引發事故或造成傷害。

- 須將本機放置在水平面上使用。
否則可能因機身翻倒引發事故。

- 因使用本產品而產生出疹、紅腫、發癢等症狀時，請立即停止使用，並諮詢醫師。
否則可能引發事故或導致身體不適。

- 閒置一段時間後使用本品，請先重新閱讀一遍產品使用說明書，並確認機體運作正常後，再開始使用。
否則可能引發事故或造成傷害。

- 請勿和其他器械同時使用。
否則可能造成事故或引起身體不適。

- 請勿將頭部、腹部或皮膚緊貼按摩輪。此外，請勿將手或腳伸入按摩輪之間。
- 請勿將膝蓋夾在小腿和腳部按摩部之間。
- 勿在使用本機時入睡。此外，飲酒後請勿使用本機。
- 當鼓起的座面氣囊裡的空氣沒有被排放完時，不要站在座面上，或者跳上去，或者在上面放東西。
否則可能導致事故、傷害。



必須遵守



禁止

⚠ 注意

 禁止	<ul style="list-style-type: none">● 請勿將手或腳伸入本機與小腿•腳部按摩部之間。● 請勿將手•手臂或頭伸入小腿•腳部按摩部（腳置台）的縫隙間。 安全起見，結束按摩後，請一定要收納好小腿•腳部按摩部。● 請勿將手、手臂或頭伸入靠背和後蓋之間。● 請勿將寵物放在按摩椅上（後蓋、靠背、扶手等）。● 按摩中，請勿突然拔出電源插頭、或突然關閉電源開關。 否則可能造成傷害。
	<ul style="list-style-type: none">● 請勿站立或坐在後蓋上。 否則可能導致本機翻倒，造成人身傷害。
	<ul style="list-style-type: none">● 請勿站立或坐在扶手上。 否則可能導致人身傷害。
	<ul style="list-style-type: none">● 請勿站立或坐在小腿•腳部按摩部及腳置臺上。 否則腳置台前部旋轉或本機傾倒可能導致事故、傷害。 小腿•腳部按摩部底部撞到地板時，可能損壞地板。
	<ul style="list-style-type: none">● 請勿在有人入座時移動本機。 否則可能因機身翻倒引發事故或造成傷害。
	<ul style="list-style-type: none">● 請勿在電熱毯等加熱設備上使用本機。 否則可能引起火災。
 禁止濕手觸碰	<ul style="list-style-type: none">● 請勿在浴室或其他潮濕的地方使用本機。 否則可能引發觸發或機體故障。
 禁止沾濕	<ul style="list-style-type: none">● 請勿將水滴等物質撒在本機或遙控器上。 否則可能引發觸電、短路或引起機體故障。

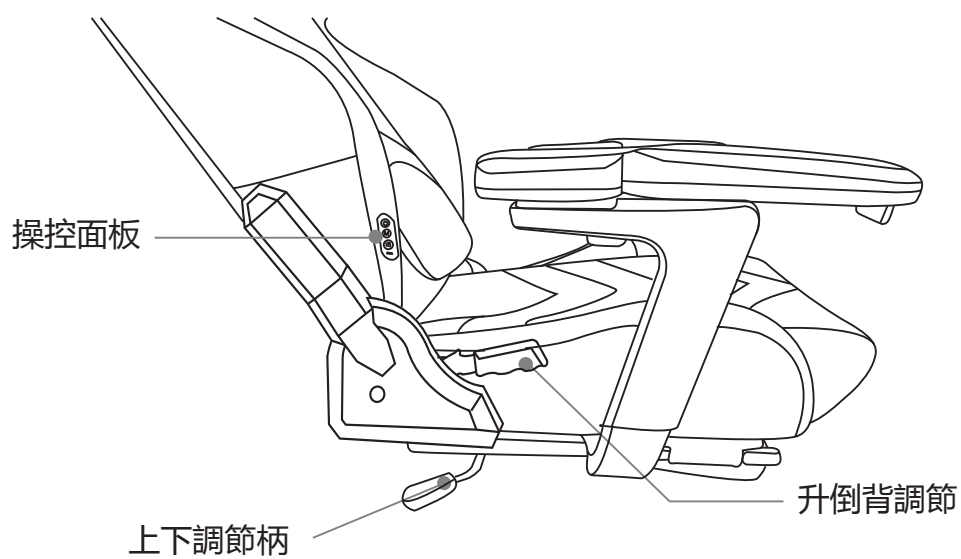
警告：

1. 8歲及以上兒童，身體、感官或精神能力減退人羣，缺乏經驗和按摩知識人羣，在接受有關安全使用本設備的監督或指導，並瞭解相關危險的前提下，可以使用本設備；兒童不得在本設備上玩耍，不得在沒有監督的情況下進行本設備的清潔和維護。
2. 器具有發熱表面，對熱不敏感的人使用時必須注意。

注意

- 下列症狀的人（包括兒童）：身體殘障人員、精神缺陷人員，禁止使用本機。如果一定要使用本機，必須在專業人員指導下使用。
- 12歲以下兒童不能使用本機或在本機上玩耍。
- 該設備具有加熱表面。對熱不敏感的人一定要小心使用設備。
- 此設備可以讓年齡從8歲以上兒童，肢體，感官或心智慧力有缺陷，或者缺乏經驗知識的人使用，如果他們被監督，或者有經過有關使用本產品安全的方式和理解其危害性的指導。
- 當廢棄產品時，需要將鋰電池進行回收或其他有效的處理。
- 非專業維修人員，請勿隨意更換本產品電池。

產品結構



SC 6

使用前

- 確保足夠空間以便椅子可以傾斜。



使用前

1 檢查周圍

確定本機周圍沒有人、
寵物及其他物體。



2 卷起靠墊

靠墊



3 確保本機縫隙間沒有異物

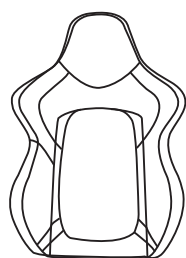
⚠ 注意

- 不要將手、手指、腳、頭伸進小腿與座面、扶手的間隙中間。
- 就坐前，請先確認本機各個部件之間沒有異物。
- 請勿將寵物放在椅子上（後蓋、靠背等）。

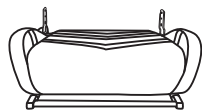


安裝說明

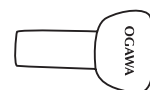
1) 電競椅採用一箱式包裝：去除包裝物，取出如下部件。



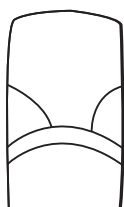
靠背 (1個)



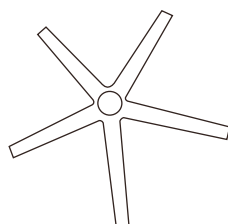
坐墊 (1個)



枕頭 (1)



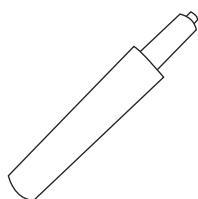
腰墊 (1個)



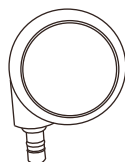
五角星架 (1個)



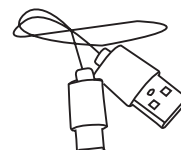
小腿架 (1)



氣杆 (1個)



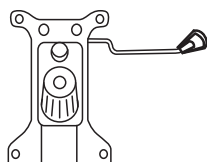
萬向輪 (5個)



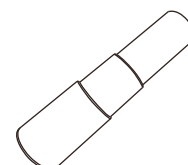
Type-C 線 (1)



倒背盒蓋 (2個)



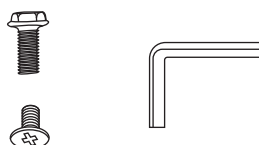
升降裝置 (1個)



圓柱蓋 (1)



扶手 (2個)



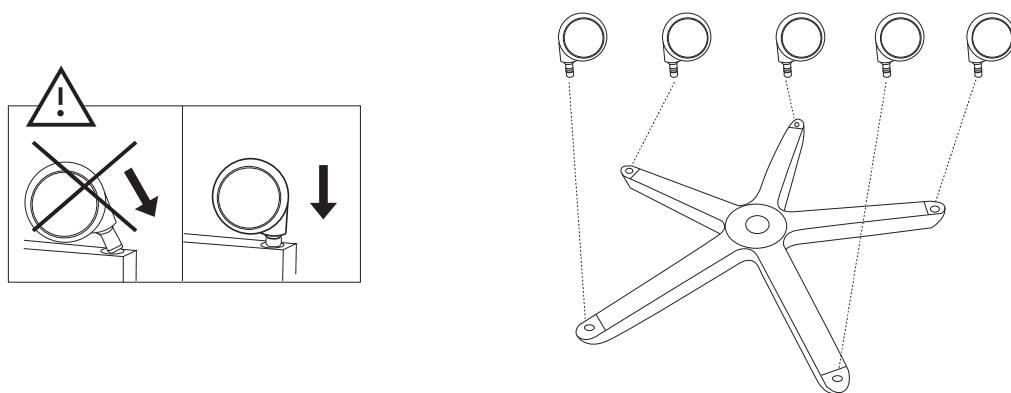
工具
螺釘 (16個)
扳手 (1個)
螺釘 (4個)



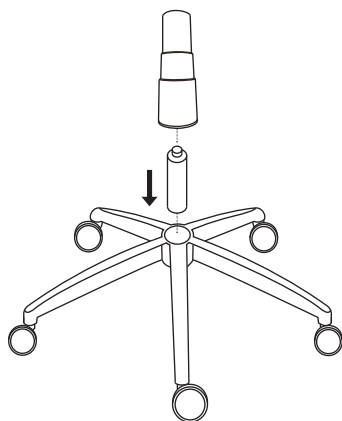
橡皮圈(2個)
螺帽 (2個)

安裝步驟

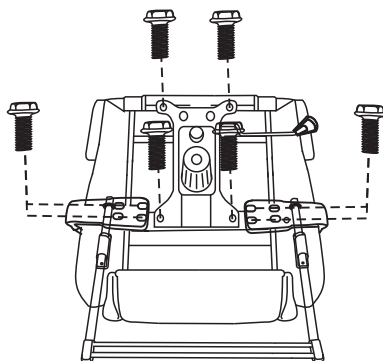
取出五星腳，把5個萬向輪按正確方向裝在五星腳上。



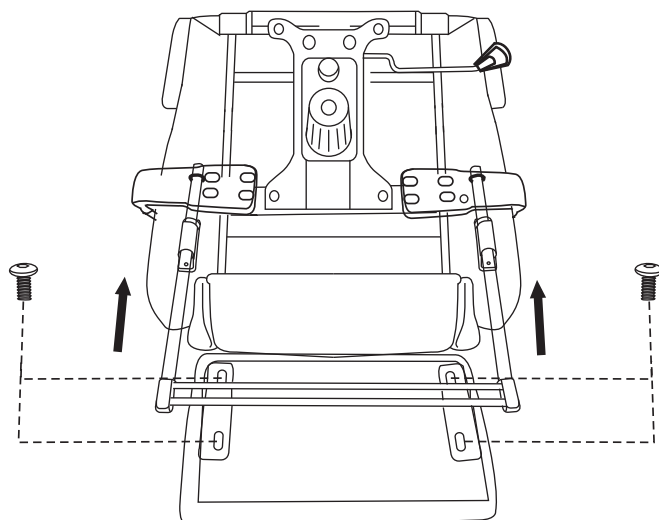
安裝好五星腳輪後，裝上氣杆，套上圓柱蓋。



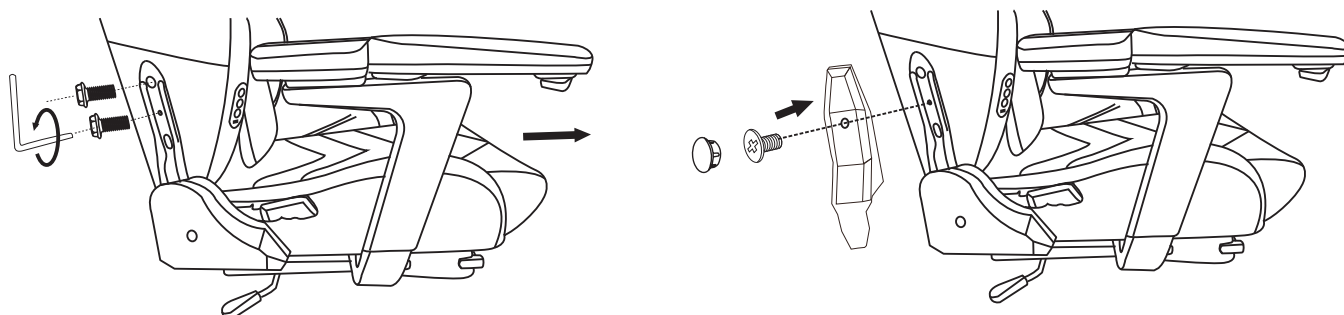
升降裝置固定在坐墊上，用扳手擰緊相應的螺絲。



確保小腿架固定穩定。



靠背固定在倒背調節器上，用扳手擰緊螺絲，裝上倒背盒蓋。



使用前再次確認椅子安裝完整，各部位螺釘已經擰緊。

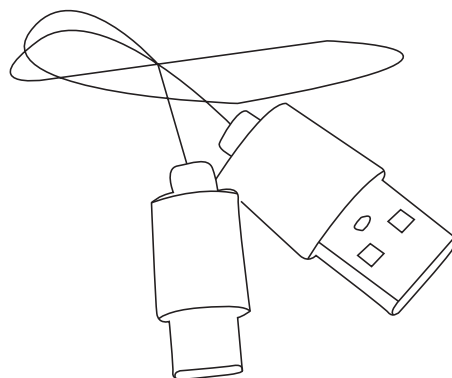


SC 11

開機

當使用充電器進行充電時：

- 使用100-240V, 50/60Hz電源進行充電。
- 充電線完全插入充電器。
- 插頭完成插入電源。
- 充電時紅燈顯示，充電完成時綠燈顯示。
- 充電結束後，拔出充電線，並且從電源上拔出充電器。



移動椅子

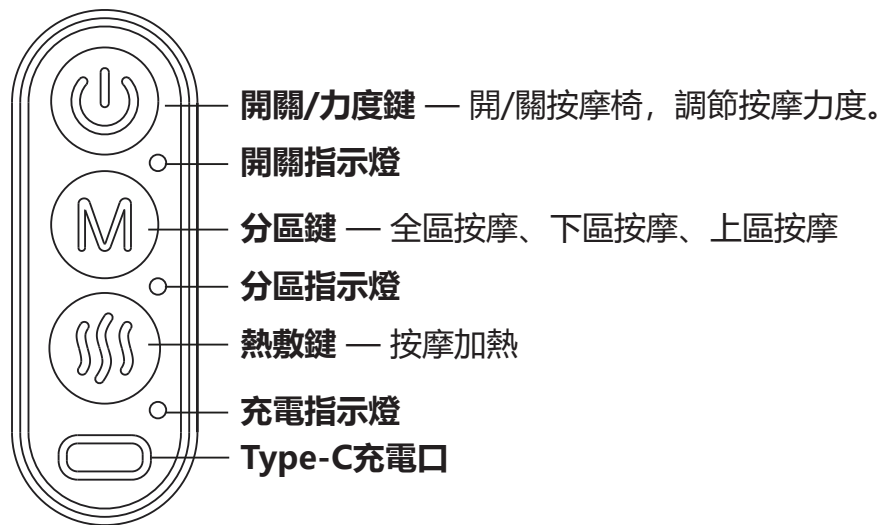
- 使用椅子底部的萬向輪方便移動椅子。
- 移時前需要拔掉電源。
- 插頭完成插入電源。
- 移動時小心推動。



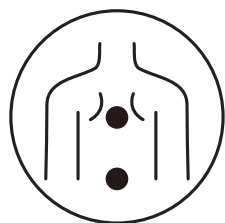
注意!

- 正在充電時不要移動椅子，可能損壞電源線。
- 當椅子上有人坐時，不要推動椅子，可能因椅子快速移動造成人員傷害。

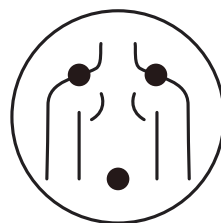
操作指南



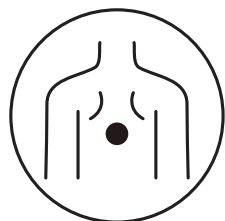
• 分區定制按摩



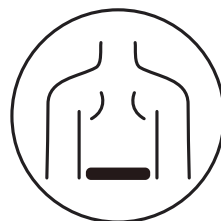
「全區按摩」
動態按摩全腰背



「下區按摩」
定點按摩背部



「上區按摩」
定點按摩腰部/肩部



「按摩加熱」
溫暖熱敷腰背

操作指南

「開/關機」

- 長按2s【⏻】開機，默認開啟加熱，低力度，進入全區按摩。
- 長按2s【⏻】開機。
- 按摩定時使用15分鐘。

「力度調節」

- 開啟按摩後，短按【⏻】可調節按摩力度，高低兩檔可調。
- 高力度，指示燈亮紅燈。
- 低力度，指示燈亮白燈。

「按摩區域調節」

- 短按【M】 切換區域按摩。
- 全區、上區、下區三種分區按摩循環切換。
- 全區按摩，指示燈亮白燈。
- 上區按摩，指示燈亮紅燈。
- 下區按摩，指示燈亮藍燈。

「熱敷功能」

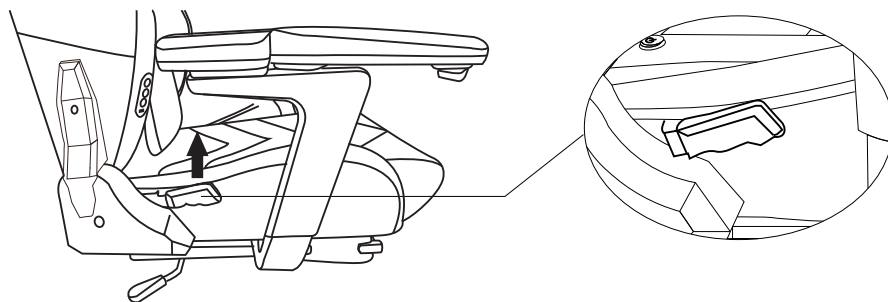
- 關機默認啟動短按【🔥】 開啟/關閉加熱。

「電源指標燈」

- 本產品插入充電線充電時，電源指示燈閃爍綠燈。當綠燈常亮，表示電量充滿，請及時拔掉充電線。

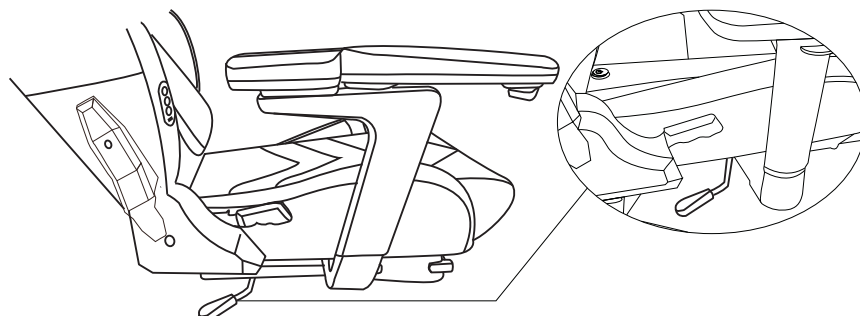
靠背角度調節

- 完全壓靠背調節裝置。
- 調整靠背到舒適角度。
- 放開靠背調節裝置，固定在所選擇的角度。



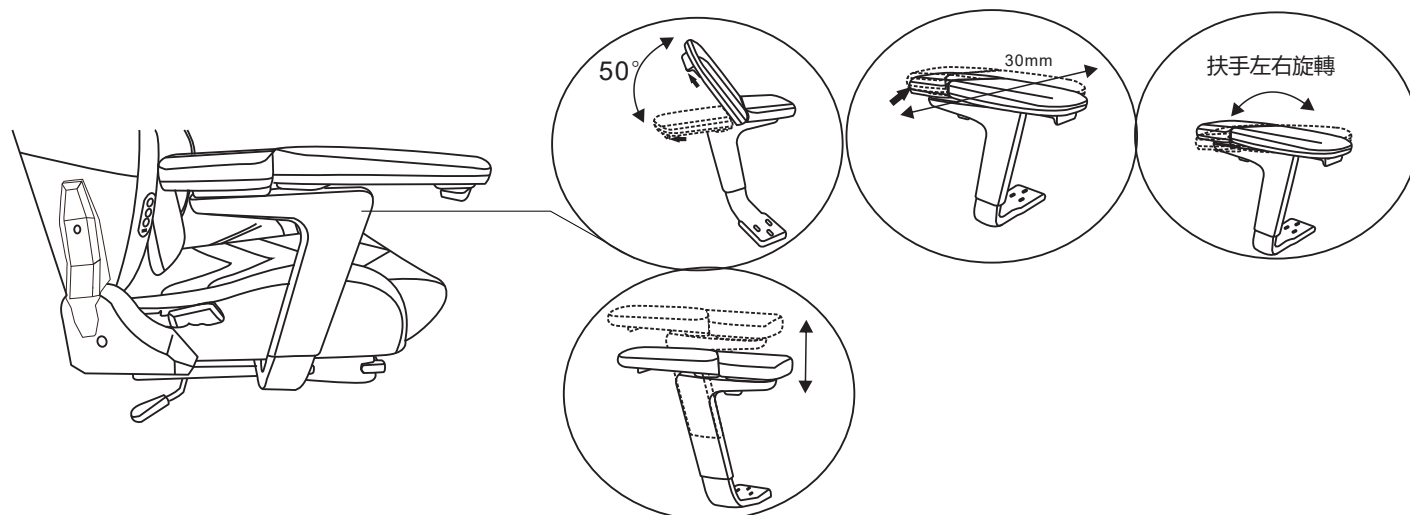
座部高度調整

- 完全壓下升降裝置。
- 上下調整到身體舒適的高度。
- 放開升降裝置，固定在所選擇的高度。



扶手調整

- 進入調整按鈕，調整扶手前後、左右、上下的位置。
- 旋轉扶手左右。

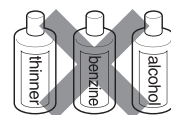


清洗及保養

清潔合成皮革部分

使用柔軟的幹布擦拭皮革。

- 切勿使用諸如稀釋劑、汽油、酒精等化學品清潔本機。
- 使用市面銷售的皮革保養品（抹布）時，請遵照其使用說明。
- 如果合成皮革特別髒，則通過以下方式擦拭。
 - ① 將軟布浸入水中或含3%至5%中性洗滌劑的熱水中，然後徹底擰乾。
 - ② 使用上述軟布擦拭皮革表面。
 - ③ 使用浸過清水且已徹底擰乾的布料擦掉清潔液。
 - ④ 使用擰乾的軟布擦拭。
 - ⑤ 使其自然風乾。
- 難以去除汗漬時，請將市面上購買的三聚氰胺泡棉浸入中性洗劑中，然後且它擦拭本機。
- 不要使用吹風機吹幹表面。
- 由於布料的顏色會染到合成皮革的表面上，因此在使用牛仔布和彩色布料擦拭本機時務必小心。
- 不要使這些部位長時間與塑膠接觸，因為這會導致褪色。
- 合成皮革有變色的可能，所以在使用染髮劑時，請將接觸的部分用毛巾覆蓋。



1 將軟布浸入水中或含有中性洗滌劑的熱水中，擰乾後，擦拭本機塑膠部。

- 切勿使用諸如稀釋劑、汽油、酒精等化學品清潔本機。

2 使用浸有清水且已徹底擰乾的布料擦拭。

- 擦拭遙控器前請務必擰乾布料。

3 使其自然風乾。



故障檢修

發生故障後，首先檢查並嘗試以下方法。
如果在嘗試後，故障依然存在，請聯繫銷售店。

問題	原因和處理方法
主機無法開機	<p>插座或插頭接觸不良。檢查插座、Type-C端口連接是否正確，電源線是否有損壞。</p> <hr/> <p>未使用本品配備充電線。使用本品配備的充電線充電。</p>
在工作中突然停止	<p>按摩15min自動關機。重新啟動。</p> <hr/> <p>產品過熱保護關機。休息30min後重新啟動。</p> <hr/> <p>產品堵轉保護關機。排除風險後重新開機。</p>

若以上處理方法無效，請聯繫OGAWA服務中心。

規格

產品名稱	Ogawa Chair
產品型號	OO7001
額定電壓	5V --- Max 2A
電池容量	2200mAh
定時	15 min
尺寸 (長*寬*高)	直立尺寸: 56x71x131cm
	倒背尺寸: 145x71x110cm
重量	毛重: 28.1kg 淨重: 24.7kg
使用環境	環境溫度: 0°C~35°C
	相對濕度: 20%~80%RH
儲存環境	環境溫度: -5°C~35°C
	相對濕度: 20%~80%RH
用戶最大體重	100kg

對於體重100kg或以上的人士，產品運作時可能產生更大的噪聲而且面料外置可能磨損得更快。

產品廢棄時注意事項

請支持充電式電池（鋰離子電池）循環的使用。

危險

本產品所用電池為專用充電式電池，不得使用於其他產品。

- 請勿對已取出的充電式電池進行充電。
- 請勿用釘子刺穿、重力衝擊或進行分解改造。
- 請勿投於火中，使其過度受熱。
- 請勿將電池正負極直接用金屬連接。
- 請勿將其與項鍊、髮卡等一起存放。
- 請勿在火爐邊、烈日下等高溫場所進行充電、使用和放置。

以上情形均可引起發熱、起火、破裂等現象。

警告

請將取下的充電式電池置於嬰幼兒觸及不到的地方，以防止被誤吞。

- 若出現被誤吞的情形時，請立即找醫生診治。
- 當電池液洩露時，請勿徒手接觸液體，並按以下方法進行處理。
- 當電池液進入眼睛時，有造成失明的危險，請勿用手直接揉搓眼睛，需立即用清水洗淨並找醫生診治。當電池液沾在身體或衣物時，可能引起皮膚發炎或受傷，請用清水沖洗，如仍有不適則需立即找醫生診治。

僅限產品在廢棄之時可進行分解，若不遵守，可能導致火災、觸電、受傷等事故發生。

本產品所使用的鋰離子電池是可回收再生的貴重資源，請在使用完畢廢棄之時，交給可進行充電式電池回收再生處理的專業機構進行處理。

在廢棄器具前，必須將電池從器具中取出。在取出電池時，器具必須要斷電。電池應安全地處置。

電池取出步驟：

- 1.關閉電源，拆下產品的布套。
- 2.擰下控制器蓋螺絲，取下控制盒板蓋，拔出電池線端子。
- 3.擰開電池盒蓋螺絲，打開電池盒，取出電池。

聯系我們



MALAYSIA

Healthy World Lifestyle Sdn Bhd
No. 22 Jalan Anggerik Mokara 31/47
Kota Kemuning, 40460 Shah Alam
Selangor Darul Ehsan, Malaysia
Tel : +1-800-88-4688
Fax: +603-5121 4386



HONG KONG, CHINA

OGAWA Health Care International (HK) Ltd
31/F, YHC Tower, 1 Sheung Yuet Road
Kowloon Bay
Kowloon
Hong Kong
Tel: +852 3465 6262
Fax: +852 2410 0119



SINGAPORE

OGAWA Health-Care Pte Ltd
163, Kallang Way #07-11
SINGAPORE 349256
Tel : +065-6846 8588



VIETNAM

OGAWA Vietnam
171, Nguyen Thi Thap Street
Tan Phu Ward
Dist 7
Ho Chi Minh City, Vietnam
Tel : +84 8 3775 3093 / 3094
Fax : +84 8 3775 3095



PHILIPPINES

O-Healthcare Solution Phil. Inc.
2303, 4th Floor, G&A Building,
Chino Roces Avenue Extension,
Makati City, Philippines
Tel : +632 8889 0676/ +632 8844 6851
Fax: +632 8812 0421

Ogawa is grateful
to have received
these awards:



PUTRA
BRAND AWARDS 2010
SILVER
In association with
MALAYSIA'S MOST VALUABLE BRANDS

Ogawa Wellness Hubs : Malaysia . Singapore . Vietnam . Philippines . Indonesia . Myanmar . India . China
Hong Kong . Taiwan . Turkey . Pakistan . Mauritius . France . Thailand . Australia
Dubai . K.S.A . Nigeria . Egypt . Lebanon . Denmark . Sweden . U.S.A